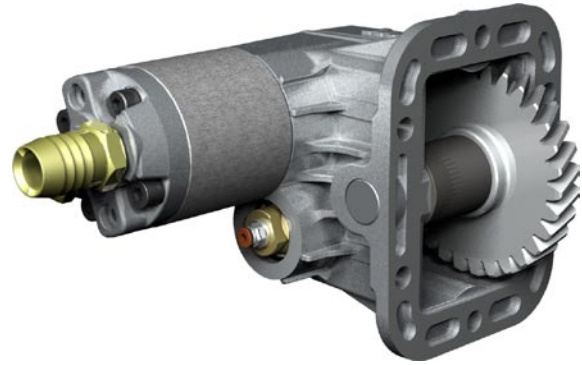


065-012-80094



066-112-80091

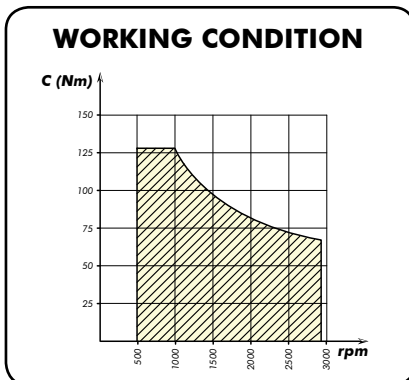
PTO for NISSAN M5-40 gearbox with built-in gear pump

We have the pleasure to inform you that the new PTO for Nissan M5-40 gearbox is now available in the following versions: mechanical and pneumatic.

The order codes for the several versions are the following:

- Pto with mechanical control: **065-012-80094**
- Pto with pneumatic control: **066-112-80091**] (collegamento alla pagina web)

The ptos are equipped with the gear pump 8cc and with the suction and delivery connectors as standard equipment.



Version	IN	OUT	Pto ratio@1000 eng.rpm	Mounting side	Output	Mounting kit	Displacement	Pressure Max	Weight
	mm	ISO 228	l/min				cc	bar	Kg
9	25	G 3/8	12,57	Sx	Poster.	154-3-3133	8	180	8,2

For any information you may need, please contact export department.